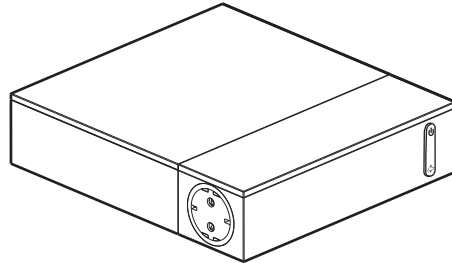


TV multi-outlet adapter with SPD German Standard

Cat. No(s): 6 945 15/95/96

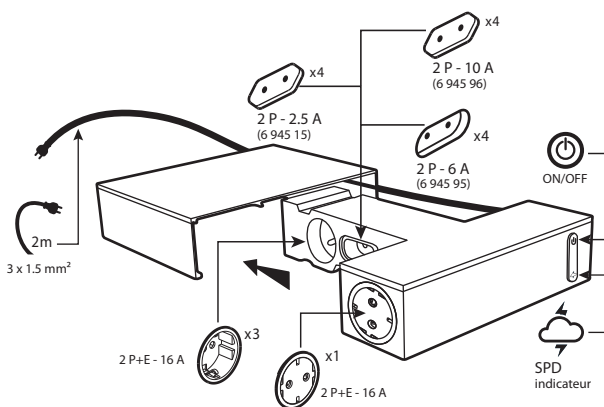


1. USE

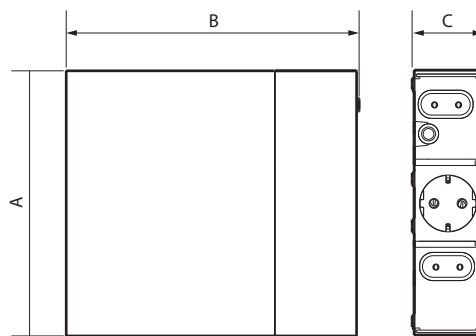
Attractive case for integrated connections.
 For connecting and protecting all appliances around the TV set.
 Can hide and manage cables.
 For integration in a TV cabinet (non-slip feet) or can be fixed to the wall with screws (not provided).
 Equipped with an SPD
 Supplied with self-locking cable tie to hold the cords together.

2. RANGE

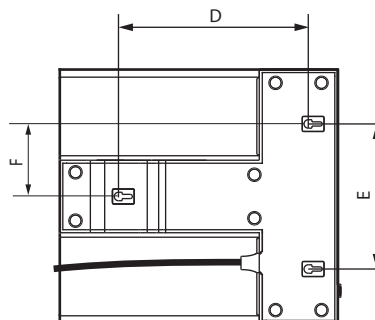
Presentation	Black/Grey
Comprises:	
• 3 x 2P+E sockets - 1 2P+E flush socket - 4 x 2P with safety shutter.	6 945 15
• 2 m power supply cord (3 G 1.5 mm ²) with moulded French-German plug.	6 945 95
• ON/OFF illuminated switch (blue LED).	6 945 96
• SPD with illuminated indicator (green LED).	



4. DIMENSIONS (mm)



A	B	C
210	232	56



D	E	F
157	117	58.5

5. TECHNICAL CHARACTERISTICS

■ 5.1 Mechanical characteristics

Impact tests: IK 04

Protection against solid/bodies and liquids: IP 20

■ 5.2 Material characteristics

Case: Black painted aluminium + dark grey PP

Non-slip feet: Plastic

Halogen-free

UV-resistant

Self-extinguishing:

750°C/30 s for insulating components holding live parts in place.

650°C/30 s for other insulating components.

■ 5.3 Electrical characteristics

Voltage: 230 V~

Power: 3680 W MAX.

• 2P+E sockets: 16 A

• 2P sockets: 6 A (6 945 95)

10 A (6 945 96)

2.5 A (6 945 15)

• SPD: Uc: 275 V - 50 Hz

Uoc: 4 kV

IscCR: 3.0 kA

Up: 1 kV

Type: 3

SPD:

• **The switch is set to ON and the green LED is lit:** The SPD is active and protects any plugged-in appliances.

• **The switch is set to ON and the green LED is off:** the SPD has protected against lightning but is no longer protecting the plugged-in appliances.

Note: The multi-outlet adapter still works but is not protected.

■ 5.4 Climate characteristics

Usage temperature: -5°C to +35°C

Storage temperature: -20°C to +70°C

6. CARE

Surface cleaning with a cloth.

Do not use: acetone, tar remover, trichloroethylene.

Caution: Always test before using other special cleaning products.

7. STANDARDS AND APPROVALS

Compliant with installation and manufacturing standards

See e. catalogue.